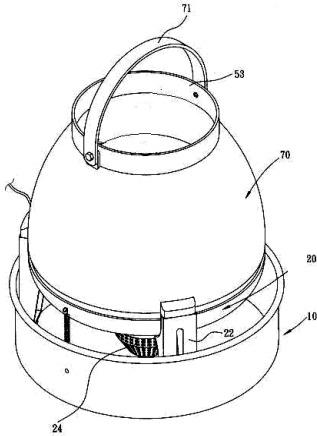


DropAir Humidifier - Instructions



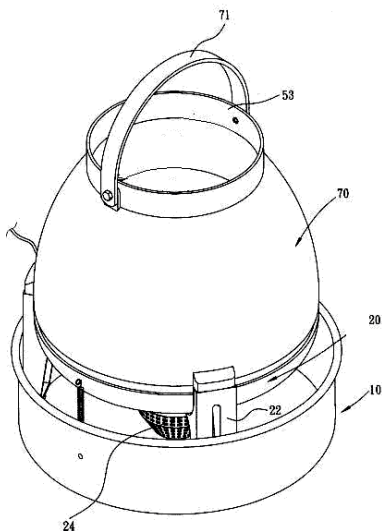
Distributed by DL Wholesale Inc.



1.2 FUNCTION OF THE MACHINE

1. The humidifier can increase the humidity in the air quickly with 3-4 liters water consumed per hour.
2. The mist that sprayed is very fine and will evaporate before drop to ground.
3. Heatproof Equipped. Motor will never short circuit.
4. Used on any kinds of gardening, indoor cultivation, animal husbandry or disinfection.
5. Water level control equipped which can supply water automatically.

1.3 LEGEND OF THE MACHINE



1. SAFETY INSTRUCTION



General Safety Regulation

Do not attempt to operate until you have read thoroughly and understand completely all instructions, rules, etc. contained in this manual. Failure to comply can result in accidents involving fire, electric shock, or serious personal injury. Keep owners manual and review frequently for continuous safe operation.

Warranty

If any part is proved to be defective within **ONE YEARS** from the date of purchase then the manufacturer or distributor shall repair or replace the part provided the defective part is returned immediately to the manufacturer or distributor.

The manufacturer or distributor shall have no obligation to repair or replace those parts failing due to operator carelessness, misuse or due to any cause such as parts failing due to improper volt, force majeure.

1.1 SAFETY REGULATION

- **KNOW YOUR MACHINE.**
For your own safety, read the owner's manual carefully. Learn its application and limitations as well as specific potential hazards pertinent to this machine.
- **DO NOT USE IN THE SITUATION OF NO WATER.**
Do not use the machine when the tank is not filled with water (liquid).
- **KEEP CHILDREN AWAY.**
All visitors should be kept at a safe distance from work area.
- **DO NOT FORCE THE MACHINE.**
It will do the job better and be safer at the rate for which it was designed.
- **USE THE RIGHT PARTS.**
Do not replace the parts to do a job for which they were not designed.
- **NEVER TOUCH THE SPRAY OUTLET UNLESS MACHINE IS TURNED OFF**

- **DO NOT DISASSAMBLE THE MACHINE.**

Disassembling the machine may make product damage.

- **ELETRIC PLUG AND SOCKET SHOULD BE DRY.**

1.2 WARNING PLATE

The safety signs described below are affixed to the press brake in approp Locations to indicate operations to be carried out or to direct attention to hazard or unsafe practices.

Make sure to memorize these symbols and bring them to the attention of others as and when necessary. Do not remove safety symbols from the machine.

2. SPECIFICATION

2.1 SPECIFICATION

Model	GD-3600
Power consumption	1/8hp
N.W	6.5kgs
G.W	7.4kgs
Water consumption	About 4ltr./hour
Water storage	4ltr
Size	32×43 cm
Material	
Whole cover	Plastic
Tank	Plastic/Stainless steel

3. INSTALLATION

3.1 LIFTING THE MACHINE



3.2 ELECTION OF LOCATION

Variant NO.		Basic
Variant Identification	Unit	GD-3600/GD-6600
Environment temperature	°C	<50°C
Environment humidity	%	<100%
Machine size (L.W.H)	cm	32*43
Machine weight	kg	6.5

Installation of the Machine

- The floor must be absolutely flat and level.

3.3 INSTALLATION

- Connect the tank and water hose and use the O ring attached to tighten
- Pull up the 3 springs on the edge of tank to fix the machine.
- Turns on the spigot and let water be supplied automatically.
- Put the electric plug into the socket and the machine will be turned on

3.4 CONNECT POWER SOURCE WIRES

1.220-240V/50HZ/60Hz

2.100V 0/60HZ

3.110-120V 60HZ

3.5 CHECK CONNECTION OF POWER WIRES

After the power wires have been connected, it is necessary to check if the power wires are connected to the correct connection points.

4. OPERATION

4.1 EMERGENCY STOP

Pulling up the plung directly is the best way to stop machine and avoid damage.

5. MAINTENANCE

5.1 DAY MAINTENANCE

Maintaining 3-8mins daily is fine.

If you don't use the machine for a long time, it should be kept dry.

5.2 TROUBLE SHOOTING

1. Check the strainer if it is jammed by impurities and remove it. Except No.1 condition, please consult with your dealer.

